

TeraXion

ClearSpectrum™

TDCMX-SM Slope-Matched Tunable Dispersion Compensator



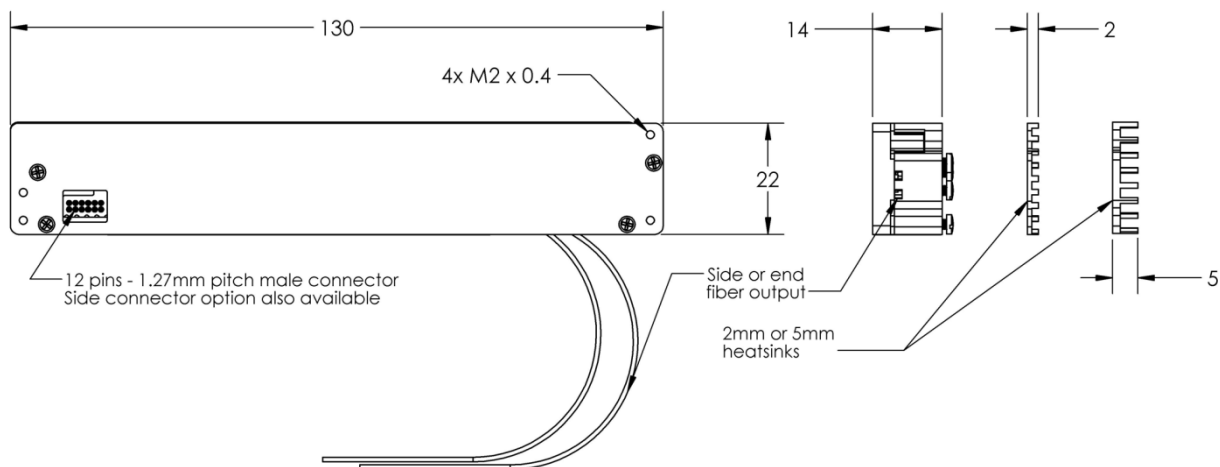
The ClearSpectrum™ TDCMX-SM is the only G.652 slope-matched tunable chromatic dispersion compensator on the market that provides adjustable, simultaneous compensation for all channels across the entire C-band, all within a single device. The revolutionary TDCMX-SM is built on TeraXion's established dispersion-compensation technology that has been providing reliable operation for over 15 years. This "single part number" solution reduces cost-per-bit (\$/bit) by enabling customers to use intensity-modulation direct-detection at 100 Gb/s over distances up to 80 km.

System vendors who serve communication and internet service providers (CSP & ISP) are seeking ways to increase data rates in next-generation DWDM access networks. This is particularly true for data-center interconnect (DCI)/enterprise, fiber-to-the-premises (FTTx), and 5G X-Haul networks operating with intensity modulation direct detection (IMDD) modulation formats such as PAM-4.

Top 5 Features

- **Tunable:** The TDCMX-SM provides highly accurate, dynamically adjustable chromatic dispersion compensation over a large range of dispersion values (from 0 to 80 km with the same module).
- **Low-Latency:** The TDCMX-SM features a latency of less than 25 ns, a reduction of over 1 000x compared to dispersion compensating fiber (DCF), making it the perfect choice for time-sensitive networks.
- **G.652 Slope-Matched:** The TDCMX-SM compensates for the chromatic dispersion slope of the fiber, resulting in a precise, homogeneous residual dispersion for every channel of the C-band.
- **Multi-Channel:** TDCMX-SM features full C-band coverage, either on a 50 GHz or 100 GHz grid.
- **Compact:** The ClearSpectrum™ TDCMX-SM has dimensions of only 130 x 22 x 14 mm.

Module Dimensions



50 GHz Simultaneous Multi-Channel Solution

Parameters	Specifications		Units
Channel Grid	50		GHz
Channel Grid Tuning Range	± 30		GHz
Compensation Range	0 to 40	40 to 80	km
Operation Bandwidth	ITU± 14	ITU± 12	GHz
Typical -3 dB Bandwidth	34	30	GHz
Slope-Matching Error	< 25	< 35	ps/nm
Phase Ripple Std Deviation	< 0.1	< 0.13	rad
Dispersion Accuracy	< 2	< 2.5	km

100 GHz Simultaneous Multi-Channel Solution

Parameters	Specifications		Units
Channel Grid	100		GHz
Channel Grid Tuning Range	± 55		GHz
Compensation Range	0 to 40	40 to 80	km
Operation Bandwidth	ITU± 30	ITU± 22	GHz
Typical -3 dB Bandwidth	68	50	GHz
Slope-Matching Error	< 15	< 25	ps/nm
Phase Ripple Std Deviation	< 0.12	< 0.14	rad
Dispersion Accuracy	< 2	< 2.5	km

General Specifications

Parameters		Units
Insertion loss	<6	dB
Polarization-dependent loss	<0.3	dB
Polarization mode dispersion	<1	ps
Maximum input power	<27	dBm
Control interface	I ² C	
Voltage	5	V
Typical power consumption	3	W
Typical response time	10	s
12-pin, 1.27 mm pitch male connector	Bottom or side	
Fiber output	End (90°) or side (30°)	
Heatsink	2 or 5	mm
RoHS compliant	Yes	

Ordering information

For orders, questions, specific requirements or to learn more about TeraXion's products, contact us at info@teraxion.com

TeraXion

teraxion.com
 2716 Einstein Street
 Quebec, Quebec, CANADA G1P 4S8
 +1 (877) 658-8372 / info@teraxion.com

© 2019 TeraXion Inc. All rights reserved.

TeraXion Inc. reserves all of its rights to make additions, modifications, improvements, withdrawals and/or changes to its product lines and/or product characteristics at any time and without prior notice. Although every effort is made to ensure the accuracy of the information provided on this information sheet, TeraXion Inc. does not guarantee its exactness and cannot be held liable for inaccuracies or omissions.